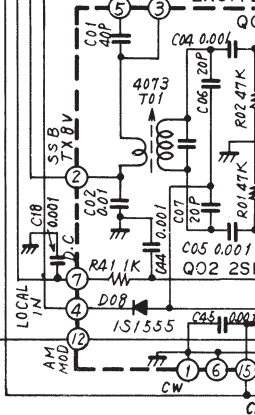
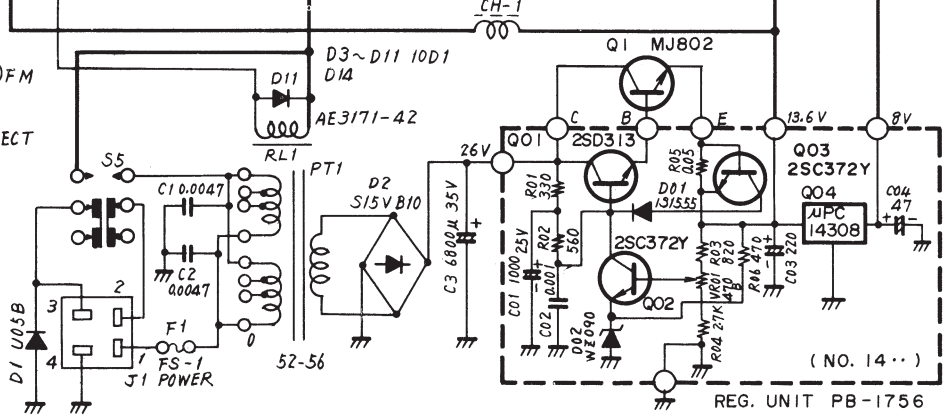
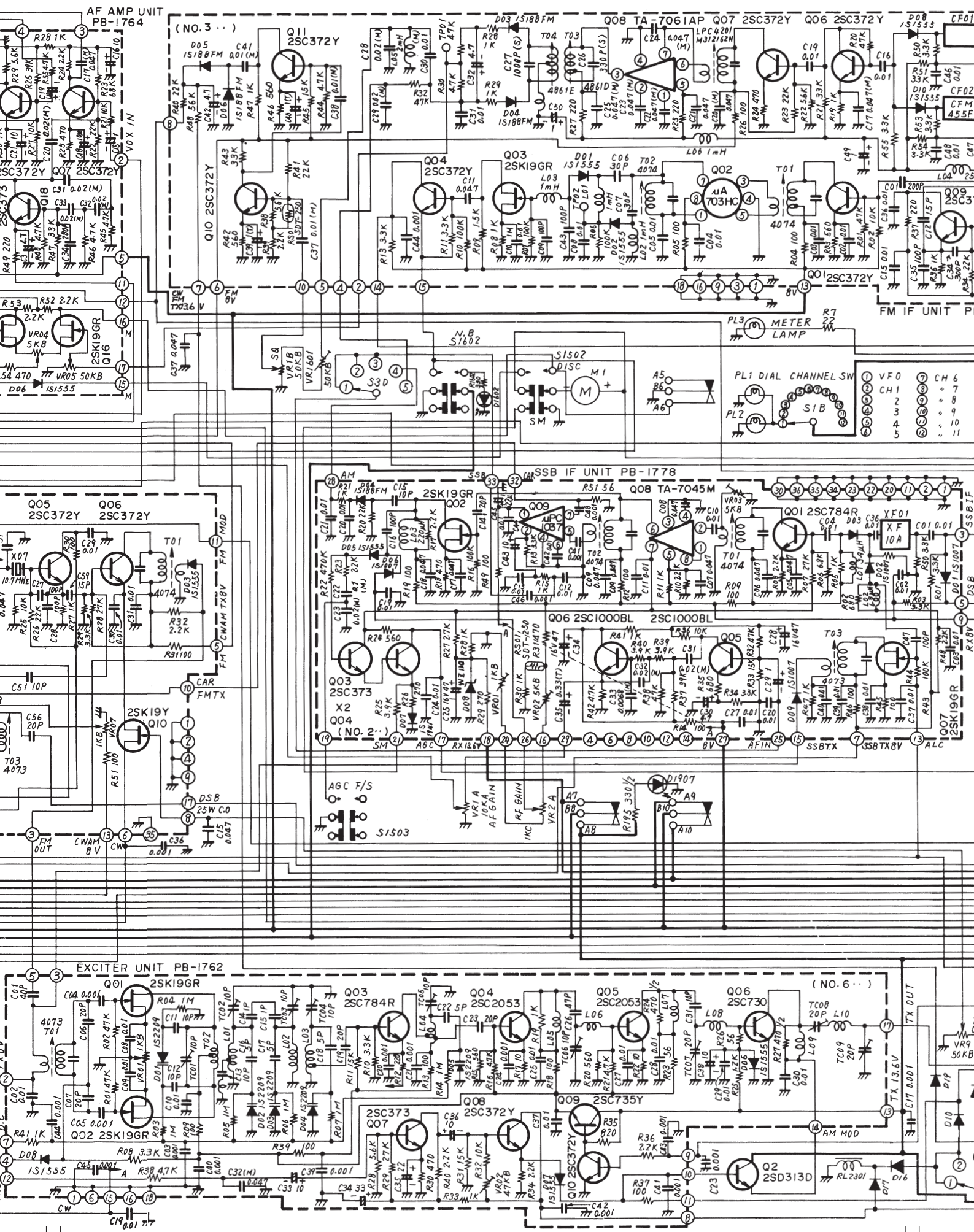
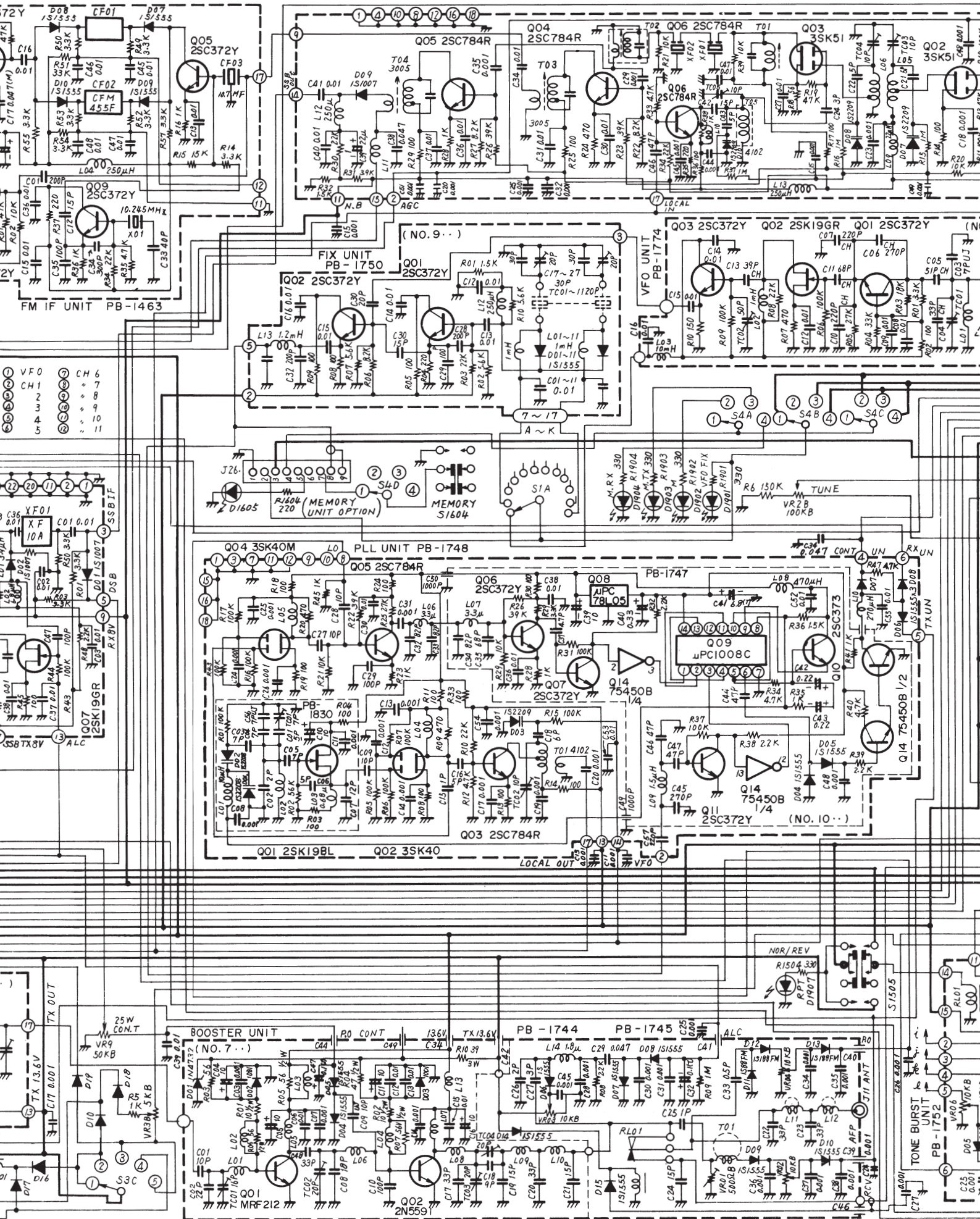


- S3 A~H MODE SW
 ① LSB ② USB
 ③ CW ④ AM ⑤ FM
- S4 A~C MEMO SELECT
 ① VFO FIX
 ② SIMP
 ③ TX } MR
 ④ RX }



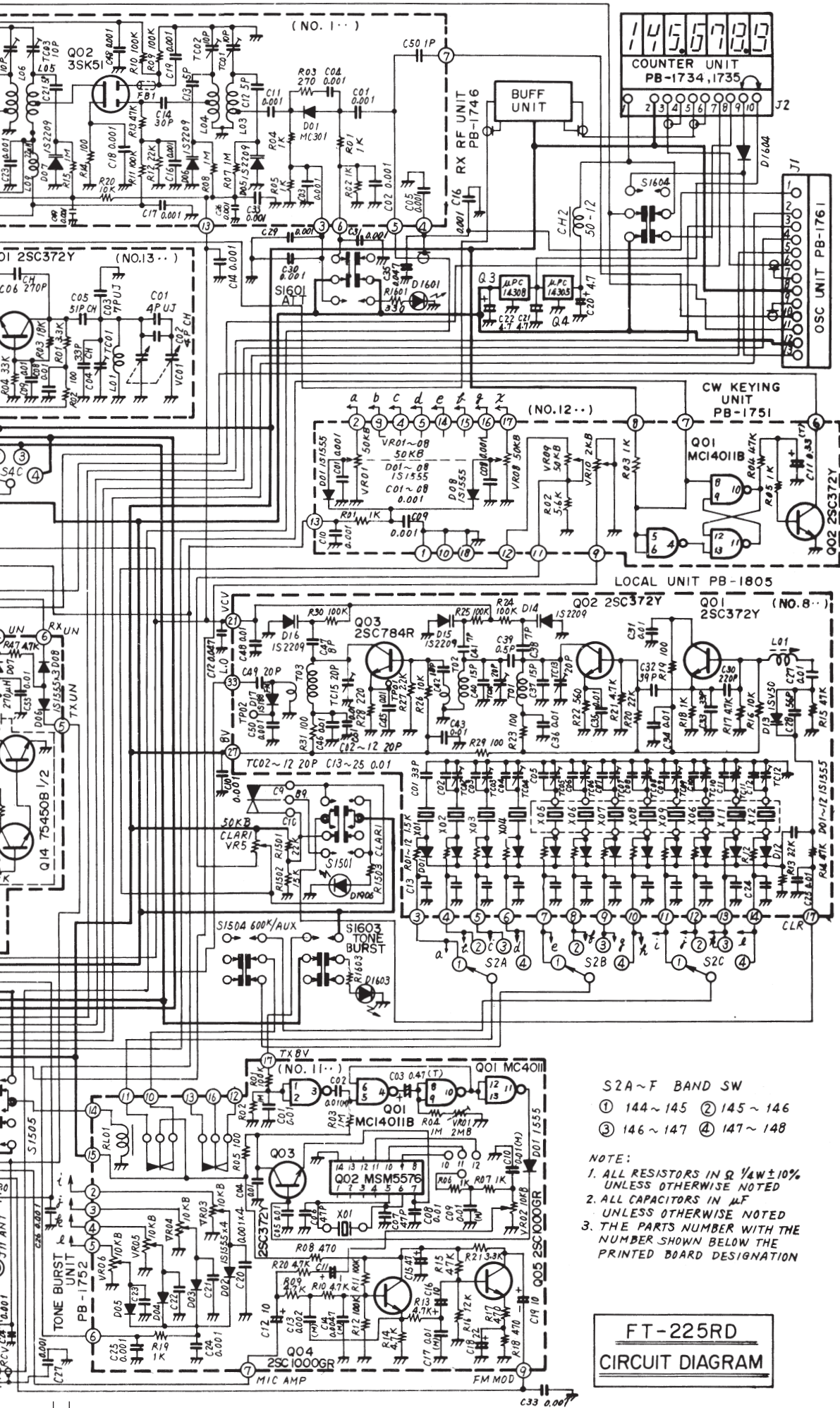




- | VFO | CH 6 |
|-----|------|
| 1 | 7 |
| 2 | 8 |
| 3 | 9 |
| 4 | 10 |
| 5 | 11 |

NOR/REV
R1504 330
R1907

- | TX OUT | TX 13.6V | TX 13.6V | TX 13.6V | TX 13.6V |
|--------|----------|----------|----------|----------|
| 1 | 2 | 3 | 4 | 5 |



S2A~F BAND SW
 ① 144~145 ② 145~146
 ③ 146~147 ④ 147~148

NOTE:
 1. ALL RESISTORS IN Ω & $\frac{1}{2}\mu\text{W} \pm 10\%$ UNLESS OTHERWISE NOTED
 2. ALL CAPACITORS IN μF UNLESS OTHERWISE NOTED
 3. THE PARTS NUMBER WITH THE NUMBER SHOWN BELOW THE PRINTED BOARD DESIGNATION

**FT-225RD
 CIRCUIT DIAGRAM**

